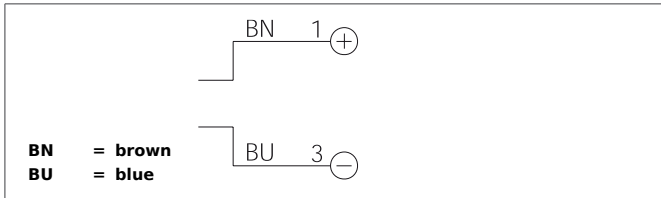


# OLS Q10 M 500-TSSL

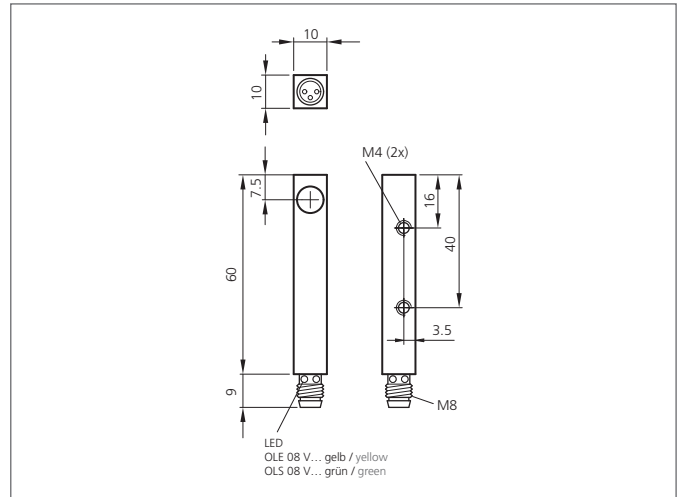
## Laser Through Beam Sensor, Transmitter

- Collimated red light laser
- Visible laser spot
- Small design
- Robust metal casing



### Safety instructions

Inproper use may result in hazardous radiation exposure. Pay attention to accident prevention rules and laser class. The instruments are not to be used for safety applications, in particular applications in which safety of persons depends on proper operation of the instruments. These instruments shall exclusively be used by qualified personnel.



TECHNICAL INFORMATION (typ.)	+20°C, 24V DC
Operating principle	Through beam sensors, transmitter
Evaluation	digital
Size	10 x 10 x 60 mm (Dimensions)
Design	cuboid design
Emitted light	Red light laser, 670 nm, clocked
Laser class	1 (IEC 60825-1)
Service voltage	10 ... 35 V DC
Internal power consumption	< 30 mA
Operating distance	0 ... 500 mm
Sensitivity adjustment	no setting elements
Switching frequency	2.000 Hz
Laser beam divergency	2 mrad
Laser direction error	< 10 mrad
Ambient temperature	0 ... +50 °C
Insulation voltage endurance	500 V
Protection class	IP 67
Protection degree	III, operation on protective low voltage
Casing material	Die-cast zinc black lacquered finish
Material	glass (Window)
Connection	Connector, M8, 3-poled
Connecting cable	TK ...